

SHENZHEN HUA YI TENG TECHNOLOGY Co.,LTD



4th floor, buliding one , Xinwei industrial area,Xihutang Road #23, Pingdong community, Longgang district, Guangdong province, Shenzhen.

Tel: (852)8409 9039 Fax: (852)84099187



Energy Star 2.0
For External Power Supplies
Efficiency Level V



SPECIFICATIONS

Customer	:	
Your Part No.	:	
Designed No	:	PI11-0010 Rev.2
Model No.	:	PS06B-0501000U
Input Voltage	:	AC:100-240V, 50/60Hz
Output Voltage	:	DC:5V/1000mA
Article	:	PLUG-IN SWITCHING MODE ADAPTOR
Safety Standard	:	UL1310&C22.2 No.223-M91
EMC Standard	:	FCC Part15,ClassB
SPECIAL REQUIREMENT:		Fulfill CEC Level V Requirements & RoHs compliant
Weight	:	

IMPORTANT NOTE

1. According to our ISO-9001 system, We can't process your P.O before you approve this specification by signing, stamping and returning the "Declaration of approval" section of this page.
2. This document is property of Protronics Industrial Co.,Ltd. and is prepared for the use of distribution of part or whole of this document without the written permission of Protronics is strictly prohibited


The whole specification including this and the following pages have been carefully studied and Accepted and approved by us with no query page 2: Contents page 3&4: Electrical specification page 5: Mechanical drawing	<u>Client's Declaration of Approval</u> <div style="border: 1px solid black; height: 100px;"></div>
--	--

REV.	Modi	Date
0	Initial issue	2011-4-6
1	add ART and change efficiency grade	2011-5-4
2	Updated ART	2012-4-19

	Name	Date
Author:	Iris.Zhou	2012-4-19
Checked:	Dick.Zhou	2012-4-19
Approved:	Dick.Zhou	2012-4-19



CONTENTS

ITEM	DISCRIPTION		SPEC.
1	SCOPE		
2	Electrical Characteristics @ ambience temperature 25°C		
(2.1) INPUT CHARACTERISTICS	a	Input Voltage and Frequency	100~240VAC (50/60Hz)
	b	Input Current at 100~240Vac.	0.3A Max
	c	AC Inrush Current	50A Max
	d	Input Wattage at DC output no-load condition @115V 60Hz and 230V 50HZ	0.3W Max
	e	Line Regulation	±2%
(2.2) OUTPUT CHARACTERISTICS	a	Unloaded voltage	5.25Vmax
	b	Output Voltage(@0≤Io≤1000mA)	5V±5%
	d	Ripple & Noise@100~240V	300mV V _{p-p} Max
	e	Average Efficiency @115V 60Hz and 230V 50Hz	68.17% Min
2.3 PROTECTION REQUIREMENT	a	Output current protection(OCP) @100-240V	<1.5A
	b	Short circuit protection @100~240Vac	NON HAZARD
3.0 Safety TEST	a	Dielectric Withstand Specification(Input to output)	1200VAC/1Sec,10mA
	b	Temperature rise	Transformer:75K
			case:50K
	c	Leakage Current(Input to output)@Ac input 100~240V	0.5mA
d	BURN-IN Test@max Load) at 40°C	Non hazards(excessive heat and fire etc)	
4.0 ENVIRONMENTAL CONDITIONS	a	Operating Temperature Range	- 0°C to 40°C
	b	Storage Temperature Range	-20°C to 60°C
	c	Operating Relative Humidity	10%~75% non-condensing
	d	Storage Relative Humidity	10%~90% non-condensing
5.0	Input Plug	UL PLUG PIN	
	DC Cord	PVC cable length : NO cable Colour : Wire size : Plug : USB Type A Polarity : 	
6.0	CASE	64(L)x39.0(W)x30mm(H)(WHITE 945)	



1 SCOPE

This document describe the electrical, mechanical and environmental specification of PS06B series,(PLUG IN) single output 5V DC 1000mA switch mode Adaptor with US plug pin,The power supply should have a USB type A output.

2.1 INPUT SPECIFICATION

a). Input Voltage and Frequency

The power supply shall meet all specification below when powered from following sources.

Rate Voltage Range	Line Frequency	Min. Voltage	Max. Voltage
100-240VAC	50/60Hz	90VAC	264VAC

b). Rate Input current

The rate input current is 0.3A at 100~240Vac. (At Max.Load)

c).A C Inrush Current

The peak inrush current shall be limited to 50A at 120Vac.for a cold start at 25°C.

d). Input Wattage at DC output no-load condition.

Less than 0.3Watt at nominal line condition.@115V 60Hz and 230V 50Hz.

e). Line Regulation

Test Condition		
At nominal load condition. When INPUT Voltage:100~240V		
Test Specifications		
Output	Load	SPEC.
5V DC	0-1000mA	±2%

2.2 OUTPUT SPECIFICATION

a) Unloaded voltage: 5.25V MAX

b) Output Voltage

Test Condition		
At nominal load condition. When INPUT Voltage:100~240V		
Test Specifications		
Output	Load	SPEC.
5Vdc	0-1000mA	±5%

c). Ripple & Noise @INPUT Voltage:100-240V

Measuring is done by 20MHz bandwidth oscilloscope and terminated each output with a 10uF capacitor and a 0.1uF capacitor.(@Io=1000mA)

Test specifications		
output	Voltage	Max.peak to peak ripple&noise
Vo	5V±5%	300mV



d). Efficiency

The minimum Average Efficiency shall be 68.17% @115V 60Hz and 230V 50Hz typically at rated load.

2.3 PROTECTION REQUIREMENT

a)Output current protection(OCP) @100~240V

The power supply shall provide over current protection on output.Maximum current inception point of output shall be limited to 1.5A.The power supply will recover automatically after the overload is removed.

b). Short circuit protection @100~240V

No damage to the power supply shall be sustained when operating any output under any line condition,into a short circuit condition for an indefinite period of time. The power supply shall be self - recovering when fault condition remove.

3.0 Safety TEST

(a) DIELECTRIC WITHSTAND SPECIFICATION(HI-pot test)

Shall withstand without breakdown **1200V ac** for leakage Current 10mA 1Second
(Between AC plug and DC plug & case.)

b) Temperature rise Test

The temperature rise of input coil is 75K max. (By resistance method),and 50K max. on case surface (By use of thermometer) measured at rated input voltage with Sec rated current at ambienttemp 25°C

c) leakage Current test

The maximun allowed leakage Current 0.5mA with 120V between input and output

d) Strain Relief Bend Test

Put the DC cable connector in appropriate fixture and apply 100g load to the cable. Then swing the DC cable 1000 times from 90° to -90° at a rate of 45 cycles per minute.The cable shall not break.

e) Pull Test

Put the DC cable connector in fixture and apply 16 pounds for 1 minute,the cable shall not break.

f) BURN-IN Test@max Load) at 40°C

BURN-IN Test.	Environmental Temperature	40°C
	Load Condition	Max.Load
	Input Voltage	120Vac

4.0 ENVIRONMENT

4.1 Operating

Temperature: 0 to 40 degrees centigrade

Relative Humidity: 10 to 75 percent non-condensing

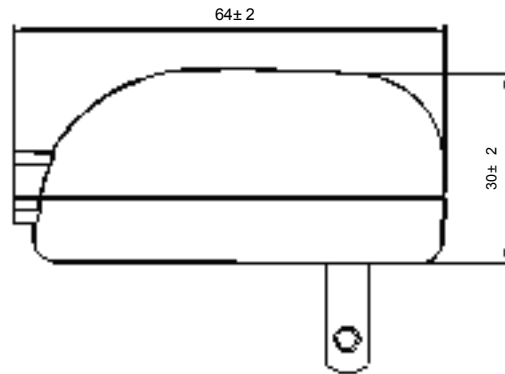
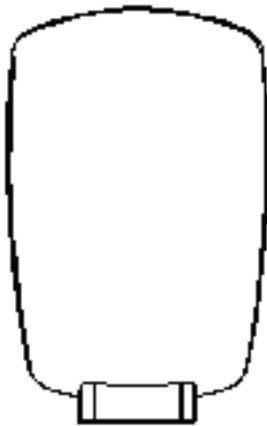
4.2 Shipping and storage

Temperature: -20 to 60 degrees centigrade

Relative Humidity: 10 to 90 percent non-condensing



REV.0



UNIT:mm

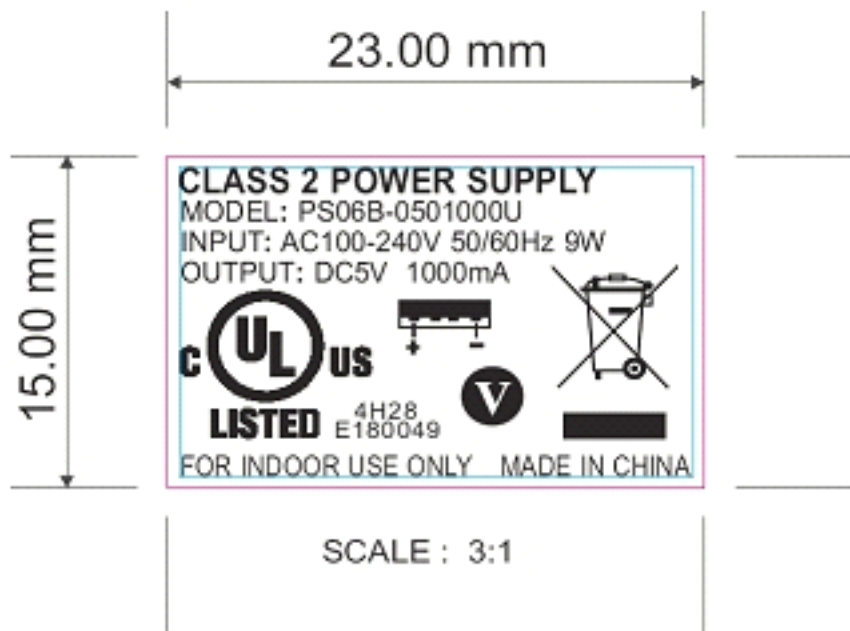
TMax

TITLE:	SHENZHEN HUA YI TENG TECHNOLOGY Co.,LTD				DRAWN:		
MAT'L:					CHECKED:		
UNIT:	mm	SCALE:	D.N.S	MODIFICATION	APP.	DATE	APPROVED:
							MODEL NO:
							PART NO:
							DWG NO: -----
							PAGE 1 OF 1
							* IQC INSPECTION POINT
							A4

ENGRAVE
CAUTION



SCALE : 1:1



PI11-0010
UL + cUL Version

SHENZHEN HUA YI TENG TECHNOLOGY Co.,LTD

TYPE : Foilo

ART NO : ART4542-1

SCALE : 3:1

UNIT : MM

Color: Black Color Wording (黑色字)

CHECKED BY : JY

APPROVED BY :

