



# SHENZHEN HUA YI TENG TECHNOLOGY Co.,LTD

4th floor, buliding one , Xinwei industrial area,Xihutang Road #23,  
Pingdong community, Longgang district,  
Guangdong province, Shenzhen.

**Tel: (852)8409 9039 Fax: (852)84099187**

## SPECIFICATIONS



Customer	:	
Your Part No.	:	
Designed No	:	PI10-0021 Rev.1
Model No.	:	PS06BU-0501000E
Input Voltage	:	AC: 100-240V, 50/60Hz
Output Voltage	:	DC: 5.0V/1000mA
Article	:	PLUG-IN SWITCHING MODE ADAPTOR
Safety Standard	:	EN 61558-2-17
EMC Standard	:	EN55022 EN55024 EN61000-3-2 EN61000-3-3
SPECIAL REQUIREMENTS:	:	RoHS Compliant & meet with EUP Stage 2
Weight	:	

### IMPORTANT NOTE

1. According to our ISO-9001 system, We can't process your P.O before you approve this specification by signing, stamping and returning the "Declaration of approval" section of this page.
2. This document is property of Protronics Industrial Co.,Ltd. and is prepared for the use of distribution of part or whole of this document without the written permission of Protronics is strictly prohibited

The whole specification including this and the  
Following pages have been carefully studied and  
Accepted and approved by us with no query

page 2: Contents  
page 3&4: Electrical specification  
page 5: Mechanical drawing

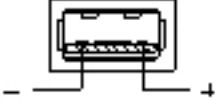
Client's Declaration of Approval

Rev.	Modi	Date
0	Initial issue	2010-12-28
1	changed case color to 945	2011-2-22

	Name	Date
Author:	Iris Diao	2011-2-22
Checked:	Dick Zhou	2011-2-22
Approved:	Dick Zhou	2011-2-22



## CONTENTS

ITEM	DISCRIPTION		SPEC.
1	SCOPE		
2	Electrical Characteristics @ ambience temperature 25°C		
(2.1) INPUT CHARACTERISTICS	a	Input Voltage and Frequency	100~240VAC (50/60Hz)
	b	Input rate current at 100~240Vac.	0.3A Max
	c	AC Inrush Current	50A Max
	d	Input Wattage at DC output no-load condition @115V 60Hz and 230V 50HZ	0.3W Max
	e	Line Regulation	±2%
(2.2) OUTPUT CHARACTERISTICS	a	Unloaded voltage	5.25Vmax
	b	Output Voltage(@0≤I <sub>o</sub> ≤1000mA)	5V±5%
	d	Ripple & Noise@100~240V	300mV V <sub>p-p</sub> Max
	e	Average Efficiency @115V 60Hz and 230V 50Hz	68.17% Min
2.3 PROTECTION REQUIREMENT	a	Output current protection(OCP) @100-240V	<1.5A
	b	Short circuit protection @100-240V	NON HAZARD
3.0 Safety TEST	a	Dielectric Withstand Specification(Input to output)	3640Vac/1Sec,10mA
	b	Temperature rise	Transformer:85K case:55K
	c	Insulation resistance ( 500VDC )	7MΩ
	d	Leakage Current(Input to output)@Ac input 100~240V	0.25mA
	e	BURN-IN Test@max Load) at 40°C	Non hazards( excessive heat and fire etc)
4.0 ENVIRONMENTAL CONDITIONS	a	Operating Temperature Range	- 0°C to 40°C
	b	Storage Temperature Range	-20°C to 60°C
	c	Operating Relative Humidity	10%~75% non- condensing
	d	Storage Relative Humidity	10%~90% non- condensing
5.0	Input Plug	VDE PLUG	
	DC Cord	PVC cable length : NO cable Colour : Wire size : Plug : USB Type A Polarity : 	
6.0	CASE		



**1 SCOPE**

This document describe the electrical, mechanical and environmental specification of PS06BU series,( PLUG IN ) sing output 5V DC 1000mA switch mode Adaptor with VDE plug pin,The power supply should have a USB type A output.

**2.1 INPUT SPECIFICATION**

**a). Input Voltage and Frequency**

The power supply shall meet all specification below when powered from following sources.

Rate Voltage Range	Line Frequency	Min. Voltage	Max. Voltage
100-240VAC	50/60Hz	90VAC	264VAC

**b). Rate Input current**

The rate input current is 0.3At

**c.)A C Inrush Current**

The peak inrush current shall be limited to 50A at 240Vac.for a cold start at 25°C.

**d). Input Wattage at DC output no-load condition.**

Less than 0.3 Watt at normal line condition.@115V 60Hz and 230V 50Hz

**e). Line Regulation**

Test Condition		
At nominal load condition. When INPUT Voltage:100~240V		
Test Specifications		
Output	Load	SPEC.
5V DC	0-1000mA	±2%

**2.2 OUTPUT SPECIFICATION**

**a) Unloaded voltage: 5.25V MAX**

**b) Output Voltage**

Test Condition		
At nominal load condition. When INPUT Voltage:100~240V		
Test Specifications		
Output	Load	SPEC.
5Vdc	0-1000mA	±5%

**c). Ripple & Noise @INPUT Voltage:100-240V**

Measuring is done by 20MHz bandwidth oscilloscope and terminated each output with a 10uF capacitor and a 0.1uF capacitor.(@Io=1000mA )

Test specifications		
output	Voltage	Max.peak to peak ripple&noise
Vo	5V±5%	300mV



**e). Efficiency**

The minimum Average Efficiency shall be 68.17% @115V 60Hz and 230V 50Hz typically at rated load.

**2.3 PROTECTION REQUIREMENT**

**a)Output current protection(OCP) @100-240V**

The power supply shall provide over current protection on output.Maximum current inception point of output shall be limited to 1.5A.The power supply will recover automatically after the overload is removed.

**b). Short circuit protection @100-240V**

No damage to the power supply shall be sustained when operating any output under any line condition, into a short circuit condition for an indefinite period of time. The power supply shall be self - recovering when fault condition remove.

**3.0 Safety TEST**

**(a) DIELECTRIC WITHSTAND SPECIFICATION(HI-pot test)**

Shall withstand without breakdown **3640V AC** for leakage Current 10mA 1 second  
(Between AC plug and DC plug & case.)

**b) Temperature rise Test**

The temperature rise of input coil is 85K max. (By resistance method),and 55K max. on case surface (By use of thermometer) measured at rated input voltage with Sec rated current at ambienttemp 25°C

**c) Insulation resistance**

Primary to Secondary: 7M ohm min., 500Vdc

**d) leakage Current test**

The power supply leakage current shall be less than 0.25mA at 264Vac condition

**g) BURN-IN Test@max Load) at 40°C**

BURN-IN Test.	Environmental Temperature	40°C
	Load Condition	Max.Load
	Input Voltage	230VAC

**4.0 ENVIRONMENT**

**4.1 Operating**

Temperature: 0 to 40 degrees centigrade  
Relative Humidity: 10 to 75 percent non-condensing

**4.2 Shipping and storage**

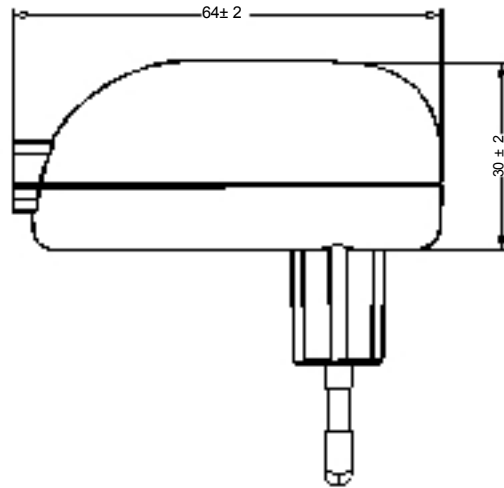
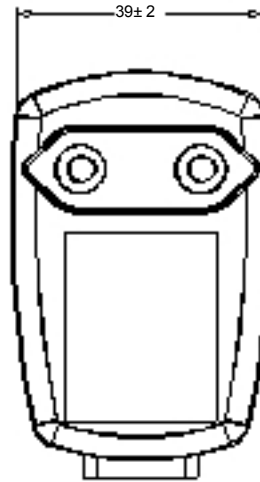
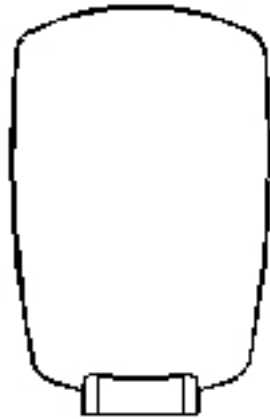
Temperature: -20 to 60 degrees centigrade  
Relative Humidity: 10 to 90 percent non-condensing



**OUTWARD DIMENSION DIAGRAM**



**REV.0**



**UNIT:mm**

TITLE:				SHENZHEN HUA YI TENG TECHNOLOGY Co.,LTD				DRAWN:			
MATL:				MODIFICATION				APP.	DATE	CHECKED:	
<b>FIGURE</b>										APPROVED:	
UNIT:	mm	SCALE:	D.N.S							MODEL NO.:	
										PART NO.:	
										DWG NO.:	
										PAGE 1 OF 1	
								* IQC INSPECTION POINT			A4

