



# SHENZHEN HUA YI TENG TECHNOLOGY Co.,LTD

4th floor, buliding one , Xinwei industrial area,Xihutang Road #23,  
Pingdong community, Longgang district,  
Guangdong province, Shenzhen.

Tel: (852)8409 9039 Fax: (852)8409 9187

## SPECIFICATIONS



Customer	:	
Your Part No.	:	
Designed No	:	PI09-0041 Rev.2
Model No.	:	PS06BU-0500300E
Input Voltage	:	AC: 100-240V, 50/60Hz
Output Voltage	:	DC: 5.0V/300mA
Article	:	PLUG-IN SWITCHING MODE ADAPTOR
Safety Standard	:	EN 61558-2-17
EMC Standard	:	EN55022 EN55024 EN61000-3-2 EN61000-3-3
SPECIAL REQUIREMENTS:	:	RoHS Compliant
Weight	:	

### IMPORTANT NOTE

- 1.According to our ISO-9001 system,We can't process your P.O before you approve this specification by signing, stamping and returning the"Declaration of approval" section of this page.
- 2.This document is property of Protronics Industrial Co.,Ltd. and is prepared for the use of distribution of part or whole of this document without the written permission of Protronics is strictly prohibited

The whole specification including this and the  
Following pages have been carefully studied and  
Accepted and approved by us with no query

page 2: Contents  
page 3&4: Electrical specification  
page 5: Mechanical drawing


Client's Declaration of Approval

Rev.	Modi	Date
0	Initial issue	19-11-2009
1	Change Polarity	24-11-2009
2	Change Polarity	11-12-2009

	Name	Date
Author:	Iris Zhou	11-12-2009
Checked:	Dick Zhou	11-12-2009
Approved:	Dick Zhou	11-12-2009



**CONTENTS**

ITEM	DISCRIPTION	SPEC.
1		
2	Electrical Characteristics @ ambience temperature 25 SCOPE	
(2.1) INPUT CHARACTERISTICS	°C	100~240VAC (50/60Hz)
	a Input Voltage and Frequency	0.3A Max
	b Input rate current at 100~240Vac.	50A Max
	d Input Wattage at DC output no-load condition @115V AC Inrush Current 60Hz and 230V 50HZ	0.5W Max
(2.2) OUTPUT CHARACTERISTICS	a Unloaded voltage	5.3Vmax
	b Output Current (CV5.0V) at input 230Vac 50Hz	270mA-330mA
	d Ripple & Noise@100~240V	200mV V <sub>p-p</sub> Max
	e Average Efficiency @115V 60Hz and 230V 50Hz	53.65% Min
2.3 PROTECTION REQUIREMENT	a Output current protection(OCP) @100-240V	270mA-330mA
	b Short circuit protection @100-240V	NON HAZARD
3.0 Safety TEST	a Dielectric Withstand Specification(Input to output)	3640Vac/1Sec,10mA
	b Temperature rise	Transformer:85K
		case:55K
	c Insulation resistance (500VDC)	7MΩ
	d Leakage Current(Input to output)@Ac input 100~240V	0.25mA
e BURN-IN Test@max Load) at 40 °C	Non hazards( excessive heat and fire etc)	
4.0 ENVIRONMENTAL CONDITIONS	a Operating Temperature Range	- 0°C to 40°C
	b Storage Temperature Range	-20°C to 60°C
	c Operating Relative Humidity	10%~75% non-condensing
	d Storage Relative Humidity	10%~90% non-condensing
5.0	Input Plug	VDE PLUG
	DC Cord	PVC cable length : NO cable Colour : Wire size : Plug : USB Type A Polarity : 
6.0	CASE	64(L)x39.0(W)x30mm(H)(Black)



# 1 SCOPE

This document describe the electrical, mechanical and environmental specification of PS06BU series,( PLUG IN ) sing output 5V DC 300mA switch mode Adaptor with VDE plug pin,The power supply should have a USB type A output.

## 2.1 INPUT SPECIFICATION

### a). Input Voltage and Frequency

The power supply shall meet all specification below when powered from following sources.

Rate Voltage Range	Line Frequency	Min. Voltage	Max. Voltage
100-240VAC	50/60Hz	90VAC	264VAC

### b). Rate Input current

The rate input current is 0.3At

### c.)A C Inrush Current

The peak inrush current shall be limited to 50A at 240Vac.for a cold start at 25°C.

### d). Input Wattage at DC output no-load condition.

Less than 0.5 Watt at normal line condition.@115V 60Hz and 230V 50Hz

## 2.2 OUTPUT SPECIFICATION

### a) Unloaded voltage: 5.3V MAX

### b) Output Voltage

Test Condition		
At nominal line condition.@INPUT Voltage:230V 50Hz and CV5.0V		
Test Specifications		
Output	CV mode	SPEC.
5Vdc	CV5.0V	270mA-330mA

### c). Ripple & Noise @INPUT Voltage:100-240V

Measuring is done by 20MHz bandwidth oscilloscope and terminated each output with a 10uF capacitor and a 0.1uF capacitor.(@CV5.0V )		
Test specifications		
output	Voltage	Max.peak to peak ripple&noise
CV5.0V	5V	200mV

### e). Efficiency

The minimum Average Efficiency shall be 53.65% @115V 60Hz and 230V 50Hz typically at rated load.



**2.3 PROTECTION REQUIREMENT**

**a)Output current protection(OCP) @100-240V**

The power supply shall provide over current protection on output. current inception point of output shall be limited to 0.3A±10%.The power supply will recover automatically after the overload is removed.

**b). Short circuit protection @100-240V**

No damage to the power supply shall be sustained when operating any output under any line condition, into a short circuit condition for an indefinite period of time. The power supply shall be self - recovering when fault condition remove.

**3.0 Safety TEST**

**(a) DIELECTRIC WITHSTAND SPECIFICATION(Hi-pot test)**

Shall withstand without breakdown **3640V AC** for leakage Current 10mA 1 second  
(Between AC plug and DC plug & case.)

**b) Temperature rise Test**

The temperature rise of input coil is 85K max. (By resistance method),and 55K max. on case surface (By use of thermometer) measured at rated input voltage with Sec rated current at ambienttemp 25°C

**c) Insulation resistance**

Primary to Secondary: 7M ohm min., 500Vdc

**d) leakage Current test**

The power supply leakage current shall be less than 0.25mA at 264Vac condition

**g) BURN-IN Test@max Load) at 40°C**

BURN-IN Test.	Environmental Temperature	40°C
	Load Condition	Max.Load
	Input Voltage	230VAC

**4.0 ENVIRONMENT**

**4.1 Operating**

Temperature: 0 to 40 degrees centigrade  
Relative Humidity: 10 to 75 percent non-condensing

**4.2 Shipping and storage**

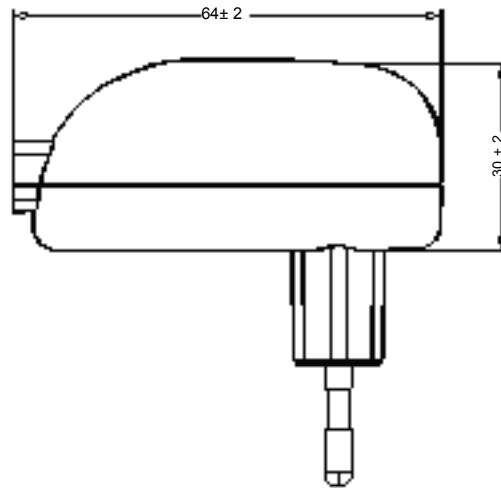
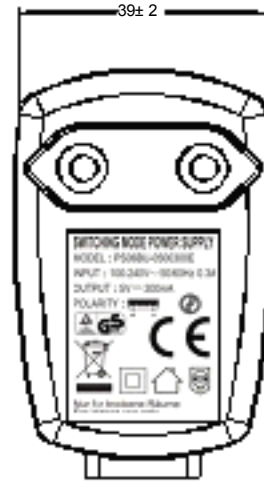
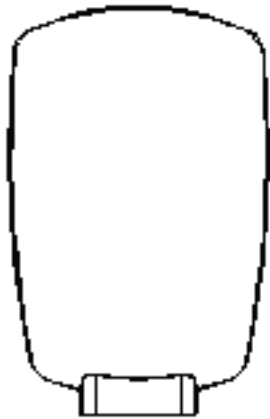
Temperature: -20 to 60 degrees centigrade  
Relative Humidity: 10 to 90 percent non-condensing



**OUTWARD DIMENSION DIAGRAM**

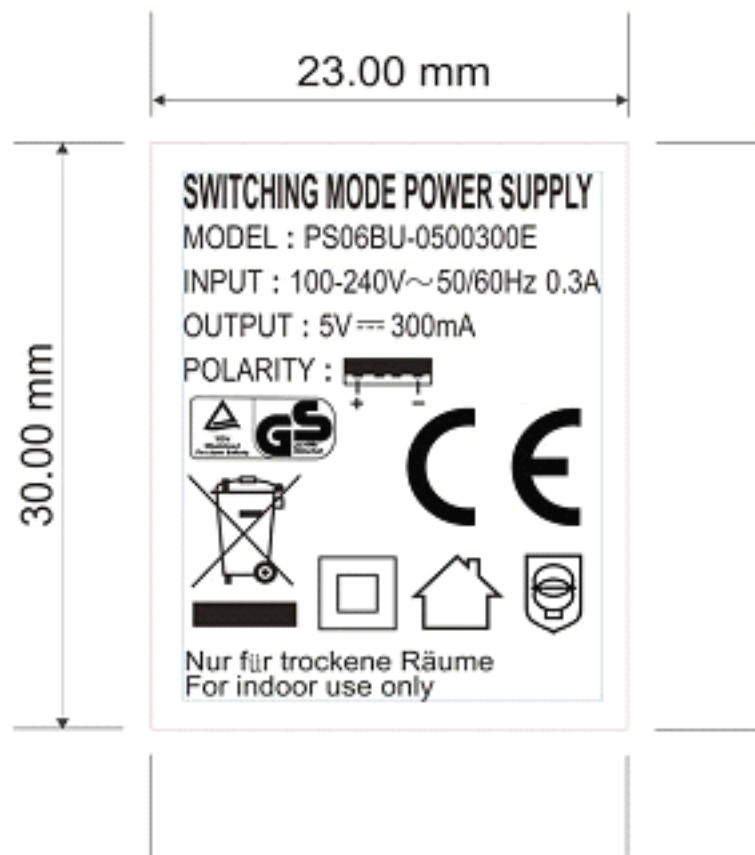


**REV.0**



**UNIT:mm**

TITLE:				SHENZHEN HUA YI TENG TECHNOLOGY Co.,LTD..				DRAWN:			
MATL:								CHECKED:			
<del>PI09-0041</del>				MODIFICATION		APP.	DATE	APPROVED:			
UNIT:	mm	SCALE:	D.N.S					MODEL NO:			
								PART NO:			
								DWG NO:		---	<b>PAGE 1 OF 1</b>
										* IQC INSPECTION POINT	
										A4	



PI09-0041  
 EU Version

SHENZHEN HUA YI TENG TECHNOLOGY Co.,LTD.

TYPE : Pad Printing

ART NO : ART4272-1

SCALE : 3:1

UNIT : MM

Color: White Color Wording (白色字)

CHECKED BY : JY

APPROVED BY :

